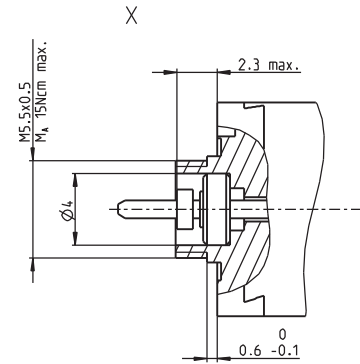
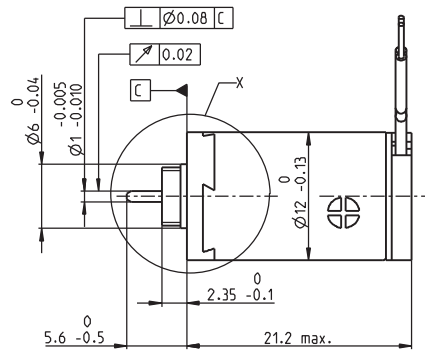
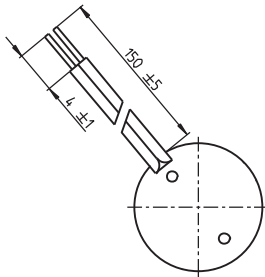


A-max 12 Ø12 mm, Precious Metal Brushes CLL, 0.75 Watt, CE approved

Kabel AWG 28/7
cable UL Style 1061

⊕ Kabel rot
cable red



M 1.5:1

- Stock program
- Standard program
- Special program (on request)

Article Numbers

200937 **265374** 265375 **265376** 265377 **265378**

Motor Data

		3	4.5	6	9	12	15
Values at nominal voltage							
1	Nominal voltage	V	3	4.5	6	9	12
2	No load speed	rpm	13900	11900	12800	12100	12300
3	No load current	mA	21.1	11.5	9.47	5.87	4.5
4	Nominal speed	rpm	5980	4380	5260	4470	4610
5	Nominal torque (max. continuous torque)	mNm	0.897	0.961	0.948	0.941	0.931
6	Nominal current (max. continuous current)	A	0.465	0.282	0.225	0.141	0.107
7	Stall torque	mNm	1.58	1.55	1.63	1.52	1.52
8	Starting current	A	0.789	0.438	0.374	0.22	0.168
9	Max. efficiency	%	70	71	71	70	68
Characteristics							
10	Terminal resistance	Ω	3.8	10.3	16	40.9	71.6
11	Terminal inductance	mH	0.0851	0.263	0.402	1.01	1.74
12	Torque constant	mNm/A	2.01	3.53	4.36	6.92	9.06
13	Speed constant	rpm/V	4760	2710	2190	1380	1050
14	Speed / torque gradient	rpm/mNm	9030	7880	8060	8170	8330
15	Mechanical time constant	ms	20.6	20.3	20.4	20.4	20.5
16	Rotor inertia	gcm ²	0.218	0.246	0.241	0.238	0.235

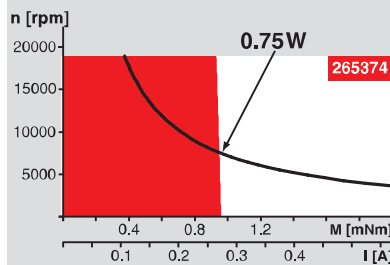
Specifications

Thermal data		
17	Thermal resistance housing-ambient	44.5 K/W
18	Thermal resistance winding-housing	15 K/W
19	Thermal time constant winding	5.03 s
20	Thermal time constant motor	245 s
21	Ambient temperature	-30...+65°C
22	Max. permissible winding temperature	+85°C
Mechanical data (sleeve bearings)		
23	Max. permissible speed	19000 rpm
24	Axial play	0,05 - 0,15 mm
25	Radial play	0,012 mm
26	Max. axial load (dynamic)	0,15 N
27	Max. force for press fits (static)	15 N
28	Max. radial loading, 4 mm from flange	0,4 N

Other specifications		
29	Number of pole pairs	1
30	Number of commutator segments	7
31	Weight of motor	11 g
CLL= Capacitor Long Life		
Alignment of the electronic connections not specified		

Values listed in the table are nominal.
Explanation of the figures on page 49.

Operating Range



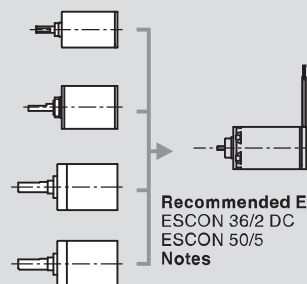
Comments

- Continuous operation**
In observation of above listed thermal resistance (lines 17 and 18) the maximum permissible winding temperature will be reached during continuous operation at 25°C ambient.
= Thermal limit.
- Short term operation**
The motor may be briefly overloaded (recurring).
- Assigned power rating**

maxon Modular System

Overview on page 16 - 21

- Planetary Gearhead**
Ø10 mm
0,005 - 0,15 Nm
Page 207
- Spur Gearhead**
Ø12 mm
0,008 - 0,025 Nm
Page 208
- Planetary Gearhead**
Ø13 mm
0,05 - 0,15 Nm
Page 209
- Planetary Gearhead**
Ø13 mm
0,2 - 0,35 Nm
Page 210



Recommended Electronics:
ESCON 36/2 DC Page 292
ESCON 50/5 Page 292
Notes 18