

H-520/3W/RGB

DIJON

CARACTERÍSTICAS

Modelo (s):	H-520/3W/RGB
Nombre (s):	DIJON
Aplicación:	Sumergible LED
Material de la carcasa:	Lamina de Acero
Terminado:	Satinado
Pantalla:	Cristal
Índice de Protección [IP]:	68
Base (portalámpara):	NA
Tipo de lámpara	Integrado LED

PARAMETROS ELÉCTRICOS

Tensión Nominal [V~]:	12 VDC
Consumo de potencia [W]:	3 W
Frecuencia Nominal [Hz]:	NA
Consumo de Corriente [A]:	0.25 A
Factor de Potencia [f.p.]:	0.7
Flujo luminoso [lm]:	NA
Temperatura de color [K]:	RGB
Color de luz:	RGB
Ángulo de apertura [°]:	20 °
IRC:	NA
Temperatura de Operación:	-10 - 40 °C

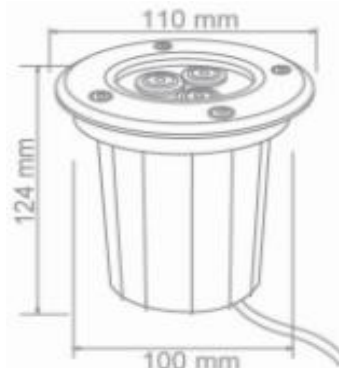
BENEFICIOS

Horas de vida [h]	20 000 h
Atenuable	No
Garantía:	5 AÑOS
Certificación:	NOM-003

OBSERVACIONES:

Profundidad máxima 1 m, quiere driver a 12 V, secuencia de colores programada

Lada sin costo 01 800 777 LITE



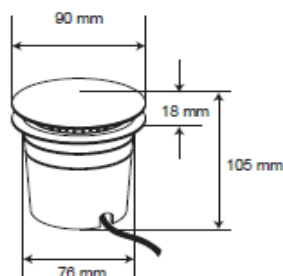


FICHA TÉCNICA

LUMINARIO DE EXTERIOR

Tecno Lite
LA LUZ ES TUYA

HLED-940/1W/30/S



CARACTERÍSTICAS

Modelo (s)	HLED-940/1W/30/S
Nombre (s)	Ceres
Aplicación	Empotrado LED
Material de la carcasa	Aluminio
Terminado	Gris
Pantalla	PC
Índice de Protección [IP]	65
Base (portalámpara)	NA
Tipo de Lámpara	Integrado LED

PARAMETROS ELÉCTRICOS

Tensión Nominal [V~]	100-240 V ~
Consumo de potencia [W]	1 W
Frecuencia Nominal [Hz]	50/60 Hz
Consumo de Corriente [A]	0.01 - 0.004 A
Factor de Potencia [f.p.]	0.9
Flujo luminoso [lm]	50 lm
Temperatura de color [K]	3 000 K
Color de Luz	Blanco Cálido
Angulo de Apertura [°]	360 °
IRC	80
Temperatura de Operación	0 - 40 °C

BENEFICIOS:

Horas de vida [h]	15 000 h
Atenuable	No
Garantía	3 Años
Certificación	NOM-003



Lada sin costo 01 800 777 LITE

www.tecnolite.com.mx

Iluminación Especializada de Occidente S.A. de C.V.

Av. Dr. Angel Leño No.401, Nave 2 Interior B, Fracc. Los Robles C.P. 45134 Zapopan Jal. México

LED SYL-STREET 22-35W NW 7P P25819



Luminaria LED para iluminación vial y exterior, con diseño moderno y robusto de un cuerpo en aluminio inyectado y compartimento independientes para el conjunto óptico y eléctrico. Montaje en tubo de soporte para poste horizontal o en punta. Proyección uniforme de la luz, reduce los costos de consumo de energía y de mantenimiento.

CARACTERÍSTICAS

- Diseño moderno con fuente LED SMD y lentes en policarbonato
- Chasis robusto en aluminio inyectado, liviano con disipador de calor integrado
- Compartimentos para el conjunto eléctrico y óptico
- Vidrio plano de protección
- Driver atenuable 0-10VDC y programable.
- Base para fotocelda 7 pines compatible con sistemas para telegestión
- Soporte con ángulo ajustable para fácil instalación

APLICACIONES

- Alumbrado público en calles, avenidas y autopistas
- Iluminación general en exteriores
- Parques, plazoletas y parqueaderos



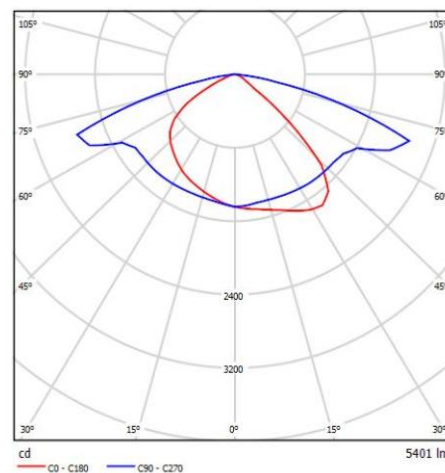
Ultra
Resistent
e



DATOS ÓPTICOS

Temperatura de color	4000K
Flujo luminoso nominal máximo	5300lm
Atenuable	SI
Tipo de distribución	Tipo II M
Vida útil estimada	100000h L70 *
Eficacia	151lm/W
Reproducción de color (IRC)	>70
Consistencia de color	SDCM ≤ 5
Tipo chip LED	TYF 5050
Número de chip LED	24pcs
Corriente Máxima de entrada Módulo	670mA
Tipo de Lente	PMMA
Transmitancia Lente	0.92
Lentes con distribución única	SI
Difusor	Vidrio plano de alta transmitancia
Ángulo de inclinación	0° a 20°

DISTRIBUCIÓN FOTOMÉTRICA



CARACTERÍSTICAS ADICIONALES

- Acometida 3x14AWG con prensaestopa para asegurar hermeticidad
- Soporte para instalación en brazo horizontal o punta de poste
- Sistema de apertura fácil. No requiere herramienta especializada.
- Conductores tipo cable con conectores en todas las conexiones.

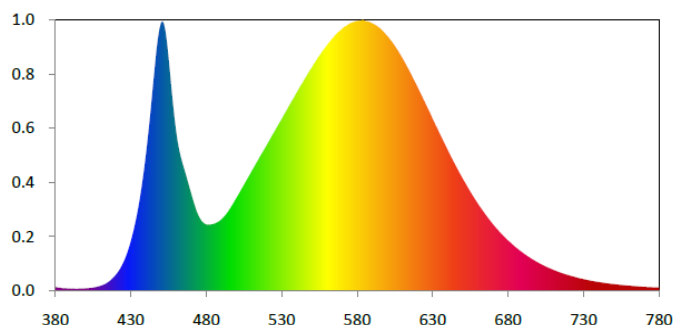
CONFIGURACIÓN DE CORRIENTE DE OPERACIÓN

Corriente Módulo	Flujo Luminoso	Potencia
670mA	5300lm	35 W
574mA	4541 lm	30 W
479mA	3789 lm	25 W
400mA	3164 lm	21 W

LED SYL-STREET 22-35W NW 7P

P25819

DISTRIBUCIÓN ESPECTRAL



DATOS ELÉCTRICOS

Potencia de entrada max.	35 W
Tensión de entrada	100-277 V 50/60 Hz
Corriente de entrada máx	0.18A @220V
Factor de potencia	0.9
Distorsión armónica (THD)	<20%
Tipo de driver	Corriente Constante
Atenuable	Señal 0-10V
Eficiencia driver	>90%
Protección integrada driver	10KV línea-tierra
Tensión de salida DC	28-52 VDC
Corriente de salida DC	400-800 mA
Protecciones Corto Circuito / Temperatura	SI
Clase aislamiento	Clase I (Opc. Clase II)
Protección Transitorios	DPS 10KV
Base fotocelda	NEMA 7 pin

DATOS FÍSICOS

Acabado	Gris RAL7004
Grado de protección conjunto óptico / eléctrico	IP66 / IP66
Grado de protección contra impactos conjunto óptico	IK09
Grado de protección contra impactos conjunto eléctrico	IK09
Dimensiones (LxWxH)	509x182x92 mm
Chasis	Aluminio inyectado
Tipo de montaje	Brazo horizontal
Diametro máx. brazo	42-60 mm
Peso	
Temperatura de operación Ta	-40°C ~ +45°C
EAN-13	770204825819
EAN-14	1770204825819

MANTENIMIENTO DE FLUJO LUMINOSO

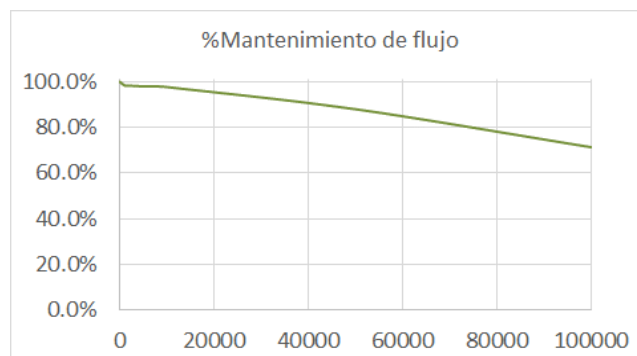
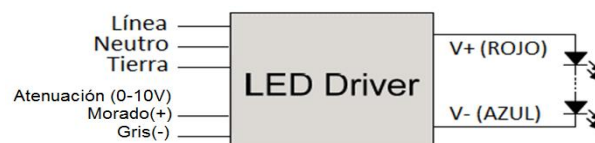


DIAGRAMA DE CONEXIÓN



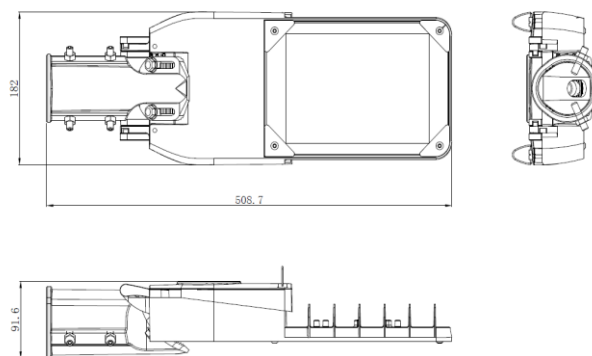
La señal de control para la atenuación debe cumplir con el estándar IEC 60929 Anexo E, que define el driver o balasto como fuente de corriente.

Driver ensamblado en bandeja portaequipo anclada sobre la estructura interna de la luminaria, de fácil mantenimiento.

El Driver LED incluye la protección de sobrecarga interna.

La protección de sobre-corriente del Driver desconecta la carga ante un corto circuito y reconecta automáticamente.

ESQUEMA PRODUCTO



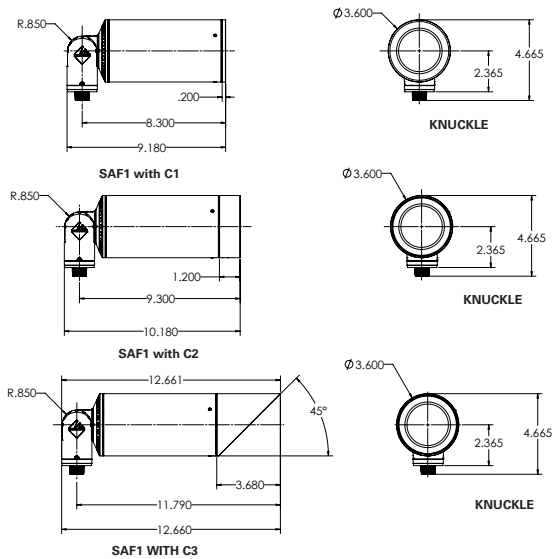


SAF1 LED SPECIALTY ARCHITECTURAL FLOOD MVOLT LED

Specifications

Weight:	4 lbs.
EPA:	C1: 0.266 Square Feet C2: 0.294 Square Feet C3: 0.314 Square Feet

DIMENSIONS



HIGHLIGHTS

- Suitable for a variety of mounting applications including ground, wall, pole, stanchion and tree
- 0-10V, Reverse phase Dimming
- Taper-Lock technology provides full aiming integrity utilizing a rugged knuckle design
- Available in 80CRI
- 1500 lm
- Minimalist design that provides clean and intentional lines and transitions
- Slightly convex watershed lens that evades water build up and staining
- NOM Listed
- 3G vibration rating per ANSI C136.31



LUMEN PACKAGES

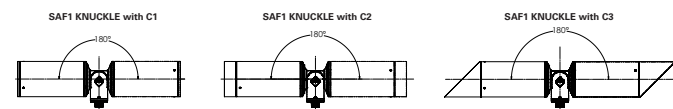
	6DEG	10DEG	15DEG	20DEG	30DEG	40DEG
Delivered Lumens	731	691	1,487	1,479	1,463	1,441
Watts	16	16	21	21	21	21
LPW	46	43	71	70	70	69
Max Candela	48,860	17,042	12,343	10,447	4,191	2,880
	50DEG	70DEG	15Vx60H	30Vx60H		
Delivered Lumens	1,386	1,320	1,468	1,379		
Watts	21	21	21	21		
LPW	66	63	70	66		
Max Candela	1,442	964	2,923	1,897		

Note: Information based on 4000K @ P2, for 6DEG and 10DEG and P3 for 15DEG+ with C1. See page 3 for more information.

STANDARD DISTRIBUTION



AIMING DETAIL



ORDERING INFORMATION

EXAMPLE: SAF1 LED P1 80CRI 27K MVOLT 6DEG CWL KM CJB L1 ZT C1 BL

SAF1														
Series*		Source*	Performance Packages*	CRI*	Color Temperature*		Voltage*	Distribution*		Lens*		Mounting*		
SAF1	Specialty Architectural Flood	LED	P1	80CRI <i>Note: CRI not required with AMLBW</i>	27K	2700K	MVOLT	6DEG	6°	CWL	Clear Watershed Lens	KM	Knuckle	
			P2		30K	3000K		10DEG	10°					
			P3		35K	3500K		15DEG	15°					
			<i>Note: P3 not available in 6DEG & 10DEG</i>		40K	4000K		20DEG	20°					
					AMBLW ¹	Amber Limited Wavelength (591nm)		30DEG	30°					
					<i>Note: AMLBW not available in 6DEG, 20DEG and 40DEG</i>			40DEG	40°					
					<i>Note: AMLBW only available in P1</i>			50DEG	50°					
								70DEG	70°					
					15VX60H	15° x 60°								
					30VX60H	30° x 60°								

Mounting Accessories		Options Internal Accessory		Control Input		External Caps*		Finish*	
AMPC/_	Architectural Mid Pole Clamp available to fit on a 4" or 6" pole with 1 or 2 fixtures	L1	Prismatic Lens	ZT	0-10V dimming to 1%	C1	Short Flush	BL	Black Textured
AWMC	Architectural Wall Mount Cover	L2	Linear Spread Lens	ELV	Reverse phase	C2	Recessed Lens	BRS	Bronze Smooth
AWSC	Architectural Wall Splice Cover	L3	Softening Lens			C3	45° Angle Cut	BRT	Bronze Textured
CAJB	Cylindrical Architectural Junction box	IHL	Honeycomb Louver	<i>Note: Only one Internal accessory can be chosen</i>				DBL	Black Smooth
CJB	Cylindrical Junction Box	Internal Filters						DDB	Designer Bronze
CPM	Cylindrical Pedestal Mount	FG	Green					DNA	Natural Aluminum
CPMSA	Cylindrical Pole Mount Splice Access	FGD	Green Dichroic					NBS	Natural Bronze Smooth
CSM_	Cylindrical Stanchion Mount 12"-48" available in 6" increments	FLB	Light Blue					VET	Verde Textured
<i>Note: Multi Head (AMHM) mounting accessory is available and can be ordered separately, please see below and spec sheet for options.</i>		FM	Mercury Vapor					WH	White Textured
Extended Arms		FMB	Medium Blue					WHS	White Smooth
EA_	12", 24" or 36"	FMBD	Medium Blue Dichroic					_Z	Zinc Undercoat (i.e.BLZ) <i>Note: Zinc Undercoat provides corrosion protection for Marine Environment and Natatorium Construction</i>
EA45_	45" -12", 24" or 36"	FR	Red					CF	Custom Finish
EA90_	90" - 12", 24" or 36"	FRD	Red Dichroic					RALTB	RAL Paint Finishes
<i>Note: EA used with AWSC and AWMC mountings only</i>		<i>Note: Only one Internal Accessory can be chosen</i>						<i>Note: RALTB for pricing only, replace with applicable RAL call out when ready to order. See the RALBROCHURE for available options. It is recommended that Hydrel products only use textured paint.</i>	

*Required Fields

Notes:

1 Lumens not reflective of Amber output. See below chart

DIMMING CHART

Voltage	Control Input	Min Dimming Level
MVOLT	ZT	1%
MVOLT	ELV Reserve Phase	1%

PERFORMANCE DATA

LUMEN OUTPUT – SAF1

Lumen values are from photometric tests performed in accordance with IESNA LM-79-08. Data is considered to be representative of the configurations shown, within the tolerances allowed by Lighting Facts. Actual performance may differ as a result of end-user environment and application. Contact factory for performance data on any configurations not shown here.

Performance Package	System Watts	Distribution Type	Field Angle		Beam Angle		27K (2700K, 80CRI)			30K (3000K, 80CRI)			35K (3500K, 80CRI)			40K (4000K, 80CRI)		
			°H	°V	°H	°V	Max CD	Lumens	LPW	Max CD	Lumens	LPW	Max CD	Lumens	LPW	Max CD	Lumens	LPW
P1	9W	6DEG	11	11	5	5	31,205	467	52	32,798	491	55	34,853	522	58	35,328	529	59
		10DEG	19	19	9	9	10,884	441	49	11,440	464	52	12,157	493	55	12,322	499	55
	6W	15DEG	33	33	16	16	3,746	451	75	3,902	470	78	4,017	484	81	4,064	490	82
		20DEG	36	36	17	17	3,171	449	75	3,303	468	78	3,400	481	80	3,439	487	81
		30DEG	57	57	31	31	1,272	444	74	1,325	463	77	1,364	476	79	1,380	482	80
		40DEG	69	69	38	38	874	438	73	911	456	76	937	469	78	948	475	79
		50DEG	92	92	58	58	438	421	70	456	438	73	469	451	75	475	456	76
		70DEG	107	107	75	75	293	401	67	305	417	70	314	430	72	317	435	72
		15Vx60H	95	44	66	21	887	445	74	924	464	77	951	478	80	962	483	81
30Vx60H	94	72	62	38	576	419	70	600	436	73	618	449	75	625	454	76		
P2	16W	6DEG	11	11	5	5	43,157	646	40	45,361	679	42	48,203	721	45	48,860	731	46
		10DEG	19	19	9	9	15,053	610	38	15,822	641	40	16,813	681	43	17,042	691	43
	11W	15DEG	33	33	16	16	7,155	862	78	7,453	898	82	7,672	925	84	7,761	935	85
		20DEG	36	36	17	17	6,055	857	78	6,307	893	81	6,493	919	84	6,568	930	85
		30DEG	57	57	31	31	2,430	848	77	2,531	883	80	2,605	909	83	2,635	920	84
		40DEG	69	69	38	38	1,669	836	76	1,739	870	79	1,790	896	81	1,811	906	82
		50DEG	92	92	58	58	836	803	73	871	837	76	896	862	78	907	872	79
		70DEG	107	107	75	75	559	765	70	582	797	72	599	821	75	606	830	75
		15Vx60H	95	44	66	21	1,694	851	77	1,765	886	81	1,817	912	83	1,838	923	84
30Vx60H	94	72	62	38	1,100	800	73	1,146	833	76	1,179	857	78	1,193	867	79		
P3	21W	15DEG	33	33	16	16	11,379	1,371	65	11,853	1,428	68	12,202	1,470	70	12,343	1,487	71
		20DEG	36	36	17	17	9,631	1,364	65	10,032	1,421	68	10,327	1,462	70	10,447	1,479	70
		30DEG	57	57	31	31	3,864	1,349	64	4,025	1,405	67	4,143	1,446	69	4,191	1,463	70
		40DEG	69	69	38	38	2,655	1,329	63	2,766	1,384	66	2,847	1,425	68	2,880	1,441	69
		50DEG	92	92	58	58	1,329	1,278	61	1,385	1,331	63	1,426	1,370	65	1,442	1,386	66
		70DEG	107	107	75	75	889	1,217	58	926	1,268	60	953	1,305	62	964	1,320	63
		15Vx60H	95	44	66	21	2,695	1,353	64	2,807	1,409	67	2,890	1,451	69	2,923	1,468	70
		30Vx60H	94	72	62	38	1,749	1,272	61	1,822	1,324	63	1,876	1,363	65	1,897	1,379	66

Performance Package	System Watts	Distribution Type	Field Angle		Beam Angle		AMBLW		
			°H	°V	°H	°V	Max CD	Lumens	LPW
P1	8W	10DEG	19	19	9	9	3,132	127	16
		15DEG	33	33	16	16	1,031	124	16
		30DEG	57	57	31	31	350	122	15
		50DEG	92	92	58	58	120	116	14
		70DEG	107	107	75	75	81	110	14
		15Vx60H	95	44	66	21	244	123	15
		30Vx60H	94	72	62	38	159	115	14

PROJECTED LED LUMEN MAINTENANCE

Data references the extrapolated performance projections for the Fixture platform in a 25°C ambient, based on 10,000 hours of LED testing (tested per IESNA LM-80-08 and projected per IESNA TM-21-11).

To calculate LLF, use the lumen maintenance factor that corresponds to the desired number of operating hours below. For other lumen maintenance values, contact factory.

Operating Hours	0	20,000	40,000	60,000
Lumen Maintenance Factor	1	0.9309	0.8726	0.818

Note: Based on P1 Performance Package 6Deg & 10DEG

Operating Hours	0	20,000	40,000	60,000
Lumen Maintenance Factor	1	0.9664	0.948	0.9299

Note: Based on P1 Performance Package 15+Deg

LED LIFE: L70@ > 36,000 hours for 6DEG & 10DEG

L70@ > 60,000 hours for 15+DEG

CSA LISTING TEMPERATURE: -30°C through 40°C (P1 6DEG & 10DEG)

-30°C through 30°C (P2 6DEG & 10DEG)

-30°C through 50°C (P1 15+ DEG)

-30°C through 35°C (P2 15+ DEG)

-30°C through 25°C (P3 15+ DEG)

-30°C through 45°C (AMBER)

PHOTOMETRIC DIAGRAMS

To see complete photometric reports or download .ies files for this product, visit www.hydrrel.com

PERFORMANCE DATA

ELECTRICAL LOAD

Light Engines	Drive Current (mA)	System Watts	Input Current (A)			
			120	208	240	277
Static White P1 6Deg & 10Deg	1800mA	9.4	0.077	0.045	0.04	0.035
Static White P2 6Deg & 10Deg	3000mA	17	0.144	0.082	0.071	0.062
Static White P1 15+Deg	180mA	5.6	0.046	0.027	0.024	0.021
Static White P2 15+Deg	350mA	10.8	0.089	0.053	0.047	0.042
Static White P3 15+Deg	690mA	18.4	0.179	0.105	0.092	0.081
Amber P1 10+Deg	667mA	8.5	0.071	0.041	0.035	0.031

LUMEN AMBIENT TEMPERATURE (LAT) MULTIPLIERS

Use these factors to determine relative lumen output for average ambient temperatures from 0-40°C (32-104°F)

Ambient		Static White - 6&10Deg Lumen Multiplier	Static White - ≥15Deg Lumen Multiplier	Amber Lumen Multiplier
0°C	32°F	1.06	1.04	1.22
10°C	50°F	1.03	1.02	1.11
20°C	68°F	1.01	1.01	1.04
25°C	77°F	1	1	1
30°C	86°F	0.99	0.99	0.97
40°C	104°F	0.96	0.98	0.91


SAF1 Multiplier	
Symmetric Distributions (6DEG-70DEG)	
C1	1.00
C2	0.98
C3	0.94
L1	0.91
L2	0.90
L3	0.96
IHL	0.60
Asymmetric Distributions (xxVXxxH)	
C1	1.00
C2	0.97
C3	0.92
L1	0.86
L2	0.84
L3	0.96
IHL	0.38

Color Filter Multiplier	
FG	0.492
FGD	0.399
FMB	0.177
FMBD	0.143
FR	0.102
FRD	0.083




SAF MOUNTING ACCESSORIES

		Part #
	<ul style="list-style-type: none"> • AMPC Architectural Mid Pole Clamp • Clamp pole mount design for quick install and fixture aiming • Intended for 4" or 6" round straight pole • Mount one or two fixtures • Mounting location mid pole • Designed for SAF7 and SAF14 series with safety cable option 	Example: AMPC4/1 78C BL See spec sheet for more options
	<ul style="list-style-type: none"> • AMHM Architectural Multi Head Mount • Directional multi-head mounting accessory for spot lighting multiple targets from one vantage point • Equipped with inner cavity that allows for quick wire connections • Infinite maneuverability and positioning with taper lock technology so contractors can easily set it and forget it. • Available in Knuckle or Yoke mount • Mount two, three or four fixtures • Multi Head mount is compatible with other mounting accessories such as ADPMR/ADPMS, AMPC, APAR/APAS, AWSC, CAJB, CPM, CPMSA, CSM and CWMAE/CWMAT 	Example: AMHM2 KM 78C BL See spec sheet for more options
	<ul style="list-style-type: none"> • AWMC Architectural Wall Mount Cover • Designed to be mounted over a recessed wall box • Compatible with SAF1 	Example: AWMC 78C BL See spec sheet for more options
	<ul style="list-style-type: none"> • AWSC Architectural Wall Splice Cover • Designed to be mounted over a recessed wall box or can be surface mounted for direct conduit entrance • Supplied with an integral splice access compartment for easy fixture connections 	Example: AWSC 78C DNA See spec sheet for more options
	<ul style="list-style-type: none"> • CAJB Cylindrical Architectural Junction Box • Designed for architectural and landscape applications • Recommended for mounting on a rigid metallic conduit 	Example: CAJB 34B 78C DBL See spec sheet for more options
	<ul style="list-style-type: none"> • CJB Cylindrical Junction Box • Drilled and tapped to 3/4" NPT specifications • For larger hole sizes, consult factory • Recommended to seal conduit to maintain dry components 	Example: CJB 34S 78C VET See spec sheet for more options

SAF MOUNTING ACCESSORIES

		Part #
	<ul style="list-style-type: none"> • CPM Cylindrical Pedestal Mount • Suitable for architectural and landscape applications • Provided with front access cover for easy wiring and installation. 	Example: CPM 78C BL See spec sheet for more options
	<ul style="list-style-type: none"> • CPMSA Cylindrical Pole Mount Splice Access • Designed to mount atop of 4" round poles • Provided with splice compartment 	Example: CPMSA 78C DBL See spec sheet for more options
	<ul style="list-style-type: none"> • CSM Cylindrical Stanchion Mount • Available in heights from 12" to 48" in 6" increments • Provided with front access cover for easy wiring and installation. 	Example: CSM12 78C BRT See spec sheet for more options
	<ul style="list-style-type: none"> • EA-Extended Arms • Available in lengths 12", 24" and 36" • Available in angles 45° and 90° • Material available in aluminum • Extended arms are compatible with AWMC and AWSC wall mounts 	Example: AWMC EA12 78C BL AWSC EA4512 78C BRS See spec sheet for more options See spec sheet for more options

EXTERNAL CAPS

	<ul style="list-style-type: none"> • C1 Short Flush Cap
	<ul style="list-style-type: none"> • C2 Recessed Lens Cap
	<ul style="list-style-type: none"> • C3 45° Angle Cut Cap

FEATURES & SPECIFICATIONS

MATERIAL: Die cast copper-free aluminum (A360) housing & doors with separate optical and driver compartments to ensure thermal isolation of the electronic drivers and LED's.

LIGHT SOURCE: Proprietary PBCA LED technology with correlated color temperatures (CCT) of 2700K, 3000K, 3500K, 4000K (>80 CRI). All within 3 MacAdam ellipses

VOLTAGE: MVOLT 120V-277V. 50/60Hz

DISTRIBUTION: Available in 6DEG, 10DEG, 15DEG, 20DEG, 30DEG, 40DEG, 50DEG, 70DEG, 15Vx60H and 30Vx60H

LENS: Molded from heat strengthened borosilicate glass for superior clarity and strength.

MOUNTING: Knuckle is 1/2" NPSM, mounts to 7/8" thru hole. Aluminum knuckle & stainless steel locking hardware with infinite aiming adjustment capabilities and a wide array of mounting accessories. Knuckle mount luminaries are provided with 48" leads (qty 3 #18 for power supply and qty 2 #18 for dimming control)

ELECTRICAL: MVOLT (120-277) LED class 2 power supply. 6-21 watts, L83 lifetime \geq 100,000 hours at 25°C. Power factor > 90%, THD < 20%. 6KV surge protection meets a minimum Category C low operation per ANSI/IEEE C62.41.2.

FEATURES Taper lock knuckle for infinite aiming and an unparalleled locking ability.

FINISH: Exterior parts are protected by a zinc-infused durable TGIC thermoset powder coat finish that provides superior resistance to corrosion and weathering. A tightly controlled multi-stage process ensures a minimum 3 mils thickness for a finish that can withstand extreme climates without cracking or peeling.

BUY AMERICAN ACT: This product is assembled in the USA and meets the Buy America(n) government procurement requirements under FAR, DFARS and DOT regulations. Please refer to www.acuitybrands.com/buy-american for additional information.

LISTING: cCSAus, Suitable for outdoor & wet location. IP66 rated

WARRANTY: 5-year limited warranty. This is the only warranty provided and no other statements in this specification sheet create any warranty of any kind. All other express and implied warranties are disclaimed. Complete warranty terms located at: www.acuitybrands.com/support/warranty/terms-and-conditions

Consult factory for details.

NOTE: Actual performance may differ as a result of end-user environment and application. All values are design or typical values, measured under laboratory conditions at 25 °C. Specifications subject to change without notice.



SAF7 RGBW SPECIALTY ARCHITECTURAL FLOOD MVOLT LED

HIGHLIGHTS

- Suitable for a variety of mounting applications including ground, wall, pole, stanchion
- Performance color mixing utilizing high output quad LED
- 3G vibration rating per ANSI C136.31
- DMX/RDM
- Taper-Lock technology provides full aiming integrity utilizing both a rugged knuckle and yoke design
- White color temperatures available in 30K and 40K
- 1,600lm
- IK10 option available
- Minimalist design that provides clean and intentional lines and transitions
- Slightly convex watershed lens that evades water build up and staining
- Industry leading flow through design achieve with separately sealed optical chamber and driver
- Quad chip technology, enabling optimal color mixing under each individual optic. Avoid striations and color separation when wall grazing/washing
- NOM Listed



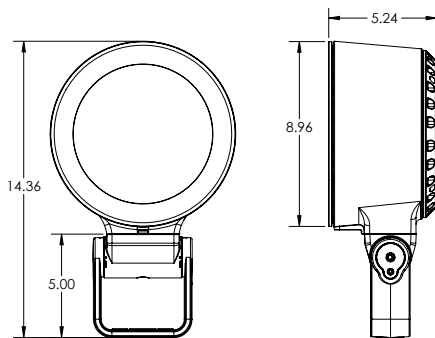
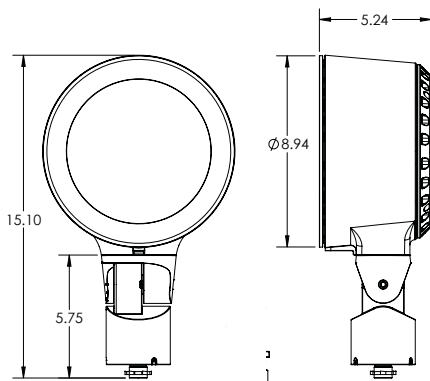
IP68



Specifications

Weight:	15lbs
EPA:	KM: .73 YM: .71

DIMENSIONS


YOKE

KNUCKLE

LUMEN PACKAGES

	10DEG	15DEG	20DEG	30DEG	40DEG	50DEG	70DEG
Delivered Lumens	1,639	1,564	1,554	1,533	1,508	1,497	1,451
Watts	45	45	45	45	45	45	45
LPW	36	35	35	34	34	33	32
Peak Candela	41,260	13,923	9,539	3,866	2,247	1,628	991
	15Vx60H	30Vx60H	60Vx15H	60Vx30H			
Delivered Lumens	1,600	1,544	1,497	1,475			
Watts	45	45	45	45			
LPW	36	34	33	33			
Peak Candela	4,002	2,207	4,150	2,098			

Note: Information based on RGBW4 @ P1

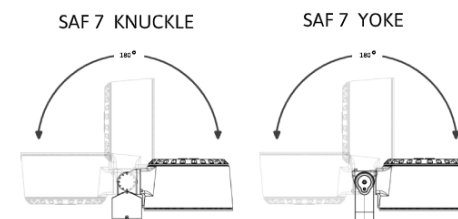
Individual Channel Lumens	R	G	B	W
Scaling Factor	0.33	0.62	0.15	0.70

Note: Information based on RGBW4 @ maximum output per channel

STANDARD DISTRIBUTION



AIMING DETAIL



ORDERING INFORMATION

EXAMPLE: SAF7 LED P1 RGBW3 MVOLT 10DEG CWL KM CJB L1 DMX BL

SAF7											
Series*	Source*	Performance Packages*	LED Dynamic Range*	Voltage*	Distribution*	Lens*	Mounting*				
SAF7	Specialty Architectural Flood	LED	P1	RGBW3 30K white (80CRI) RGBW4 40K white (80CRI)	MVOLT	10DEG 10° 15DEG 15° 20DEG 20° 30DEG 30° 40DEG 40° 50DEG 50° 70DEG 70° 15VX60H 15° x 60° 30VX60H 30° x 60° 60VX15H 60° x 15° 60VX30H 60° x 30°	CWL Clear Watershed Lens	KM Knuckle YM Yoke	Note: CWL lens IK07. For IK10 use external WRG option		

Mounting Accessories	Options Internal Accessory	Options	Control Input*	External	Finish*
ADPMR Architectural Decorative Pole Mount Round	L1 Prismatic Lens	CSL_ 10' - 50' of cord available in 5' increments	DMX	GS Glare shield	BL Black Textured
ADPMS Architectural Decorative Pole Mount Square	L2 Linear Spread Lens			FGS Full Glare Shield	BRS Bronze Smooth
AMPC_/_ Architectural Mid Pole Clamp available to fit on a 4" or 6" pole with 1 or 2 fixtures	L3 Softening Lens	Note: Cord length required for Yoke Mounting only		WRG Wire Rock Guard	BRT Bronze Textured
APAR Round 18" Pole Mount	IHL Honeycomb Louver				CF Custom Finish
APAS Square 18" Pole Mount	Note: Only one Internal accessory can be choosen				DBL Black Smooth
AWSC Architectural Wall Splice Cover	Hardware				DDB Designer Bronze
CAJB Cylindrical Architectural Junction box	TPH Tamper proof hardware				DNA Natural Aluminum
CJB Cylindrical Junction Box	LASC Safety Cable				NBS Natural Bronze Smooth
CPM Cylindrical Pedestal Mount					VET Verde Textured
CPMSA Cylindrical Pole Mount Splice Access					WH White Textured
CSM_ Cylindrical Stancion Mount 12"-48" available in 6" increments					WHS White Smooth
CWMA_E Cylindrical Wall Mount Arm. End 12"-48" (available in 6" increments)					_Z Zinc Undercoat (i.e.BLZ) Note: Zinc Undercoat provides corrosion protection for Marine Environment and Natatorium Construction
CWMA_T Cylindrical Wall Mount Arm Top 12"-48" (available in 6" increments)					CF Custom Finish
					RALTBD RAL Paint Finishes Note: RALTBD for pricing only, replace with applicable RAL call out when ready to order. See the RALBROCHURE for available options. It is recommended that Hydrel products only use textured paint.

*Required Fields

PERFORMANCE DATA

LUMEN OUTPUT – SAF7_RGBW

Lumen values are from photometric tests performed in accordance with IESNA LM-79-08. Data is considered to be representative of the configurations shown, within the tolerances allowed by Lighting Facts. Actual performance may differ as a result of end-user environment and application. Contact factory for performance data on any configurations not shown here.

Performance Package	System Watts	Distribution Type	Field Angle		Beam Angle		RGBW3			RGBW4		
			°H	°V	°H	°V	Max CD	Lumens	LPW	Max CD	Lumens	LPW
P1	45W	10DEG	18	18	9	9	39,960	1,588	35	41,260	1,639	36
		15DEG	32	32	16	16	13,485	1,515	34	13,923	1,564	35
		20DEG	39	39	20	20	9,239	1,505	33	9,539	1,554	35
		30DEG	61	61	33	33	3,745	1,485	33	3,866	1,533	34
		40DEG	78	78	47	47	2,176	1,461	32	2,247	1,508	34
		50DEG	90	90	56	56	1,577	1,450	32	1,628	1,497	33
		70DEG	111	111	77	77	960	1,406	31	991	1,451	32
		15Vx60H	95	34	66	16	3,876	1,549	34	4,002	1,600	36
		30Vx60H	98	61	66	33	2,137	1,496	33	2,207	1,544	34
		60Vx15H	33	93	16	65	4,019	1,450	32	4,150	1,497	33
60Vx30H	62	100	34	68	2,032	1,429	32	2,098	1,475	33		

CSA LISTING TEMPERATURE: -20°C though 40°C

ELECTRICAL LOAD

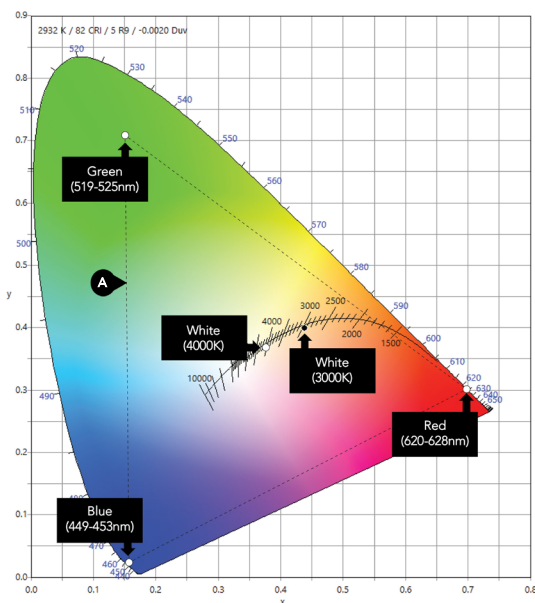
Light Engines	Drive Current (mA)	System Watts	Current (A)			
			120	208	240	277
RGBW P1 10+deg	500	45	0.38	0.22	0.19	0.17

LUMEN AMBIENT TEMPERATURE (LAT) MULTIPLIERS

Use these factors to determine relative lumen output for average ambient temperatures from 0-40°C (32-104°F)

Ambient	Ambient	Lumen Multiplier*
0°C	32°F	1.27
10°C	50°F	1.16
20°C	68°F	1.05
25°C	77°F	1.00
30°C	86°F	0.94
40°C	104°F	0.83

RGBW GAMUT AND RANGE



A RGBW Range within triangle formed by RGB

- The Gamut of a luminaire determines the potential color range, specifically the dominant wavelength of each primary color.
- The Path determines the range of colors the user can select for the luminaire.

ARCHITAINMENT COLOR GPHD

- **Gamut** Triangular
- **Path** Full RGB gamut
- **Handle** Four Handles: Red, Green, Blue, White
- **Data** DMX512/RDM

The RGBW Range reaches the full range of saturated colors and subtle pastels to create bold transformational effects.

Optical Scaling Charts*

Symmetric Distributions (10DEG - 70DEG)	
GS	0.96
FGS	0.95
IHL	0.76
L1	0.95
L2	0.95
L3	0.97
WRG	0.81
Asymmetric Distributions (xxVXxxH)	
GS	0.93*
FGS	0.85*
IHL	0.35
L1	0.88
L2	0.86
L3	0.95
WRG	0.71

Note: This table can be used to approximate the lumen values with different accessories. Please see IES files for exact lumen outputs.

SAF MOUNTING ACCESSORIES

		Part #
	<p>ADPMR/ADPMS Architectural Decorative Pole Mount Round or Square</p> <ul style="list-style-type: none"> • Architectural opulent design for seamless pole integration and fixture aiming • Intended for 4" round and tapered poles or minimum 4" square poles • Mounting location on the top of each arm accepts one lighting fixture • Designed for SAF7 & SAF14 fixtures 	<p>Examples: ADPMR 78C BL See spec sheet for more options</p>
	<ul style="list-style-type: none"> • AMPC Architectural Mid Pole Clamp • Clamp pole mount design for quick install and fixture aiming • Intended for 4" or 6" round straight pole • Mount one or two fixtures • Mounting location mid pole • Designed for SAF7 and SAF14 series with safety cable option 	<p>Example: AMPC4/1 78C BL See spec sheet for more options</p>
	<p>APAR/APAS Architectural Pole Arm Round or Square</p> <ul style="list-style-type: none"> • Intended for 4" round and tapered poles or minimum 4" square poles • Mounting location on the top of each arm accepts one lighting fixture • Designed for SAF7 & SAF14 fixtures 	<p>Example: APAS XLSC BRS See spec sheet for more options</p>
	<p>AWSC Architectural Wall Splice Cover</p> <ul style="list-style-type: none"> • Designed to be mounted over a recessed wall box or can be surface mounted for direct conduit entrance • Supplied with an integral splice access compartment for easy fixture connections • Designed for SAF7 & SAF14 fixtures 	<p>Example: AWSC 78C DNA See spec sheet for more options</p>
	<p>CAJB Cylindrical Architectural Junction Box</p> <ul style="list-style-type: none"> • Designed for architectural and landscape applications • Recommended for mounting on a rigid metallic conduit • For direct mounting of the SAF7 & SAF14 series light fixtures 	<p>Example: CAJB 34B XLSC DBL See spec sheet for more options</p>
	<p>CJB Cylindrical Junction Box</p> <ul style="list-style-type: none"> • Drilled and tapped to 3/4" NPT specifications • For larger hole sizes, consult factory • Recommended to seal conduit to maintain dry components • Compatible with SAF7 & SAF14 Flood luminaires 	<p>Example: CJB 34S XLSC VET See spec sheet for more options</p>

SAF MOUNTING ACCESSORIES

		Part #
	<p>CPM Cylindrical Pedestal Mount</p> <ul style="list-style-type: none"> • Suitable for architectural and landscape applications • Provided with front access cover for easy wiring and installation. • Compatible with SAF7 & SAF14 Flood luminaries 	<p>Example: CPM 78C BL See spec sheet for more options</p>
	<p>CPMSA Cylindrical Pole Mount Splice Access</p> <ul style="list-style-type: none"> • Designed to mount atop of 4" round poles • Provided with splice compartment • Compatible with SAF7 & SAF14 Flood luminaries 	<p>Example: CPMSA 78C DBL See spec sheet for more options</p>
	<p>CSM Cylindrical Stanchion Mount</p> <ul style="list-style-type: none"> • Available in heights from 12" to 48" in 6" increments • Provided with front access cover for easy wiring and installation. • Compatible with SAF7 & SAF14 Flood luminaries 	<p>Example: CSM12 XLSC BRT See spec sheet for more options</p>
	<p>CWMA E/CWMA T Cylindrical Wall Mount Arm End or Top</p> <ul style="list-style-type: none"> • Available in lengths from 12" to 48" in 6" increments • Supplied with splice cover for easy wiring and installation • End mounting only available with SAF7 • Compatible with SAF7 & SAF14 Flood luminaries 	<p>Example: CWMA30E 78C BL CWMA12T XLSC BRS See spec sheet for more options</p>

EXTERNAL ACCESSORIES

		Part #
	<ul style="list-style-type: none"> • WRG- Wire Rock Guard 	<p>Example: WRGSAF7 BL</p>
	<ul style="list-style-type: none"> • FGS- Full Glare Shield 	<p>Example: FGSSAF7 DDB</p>
	<ul style="list-style-type: none"> • GS- Glare Shield 	<p>Example: GSSAF7 BL</p>

ACCESSORY OPTIONS

FRESCO CONTROL SYSTEM

Series	Model	Options	Finish
FCS Fresco Control System	7TSN 7" touchscreen with nLight port	X DMX/RMD control	DBL Black DWH White DNA Natural Aluminum

Refer to [FRESCO](#) spec sheet for additional details and options.



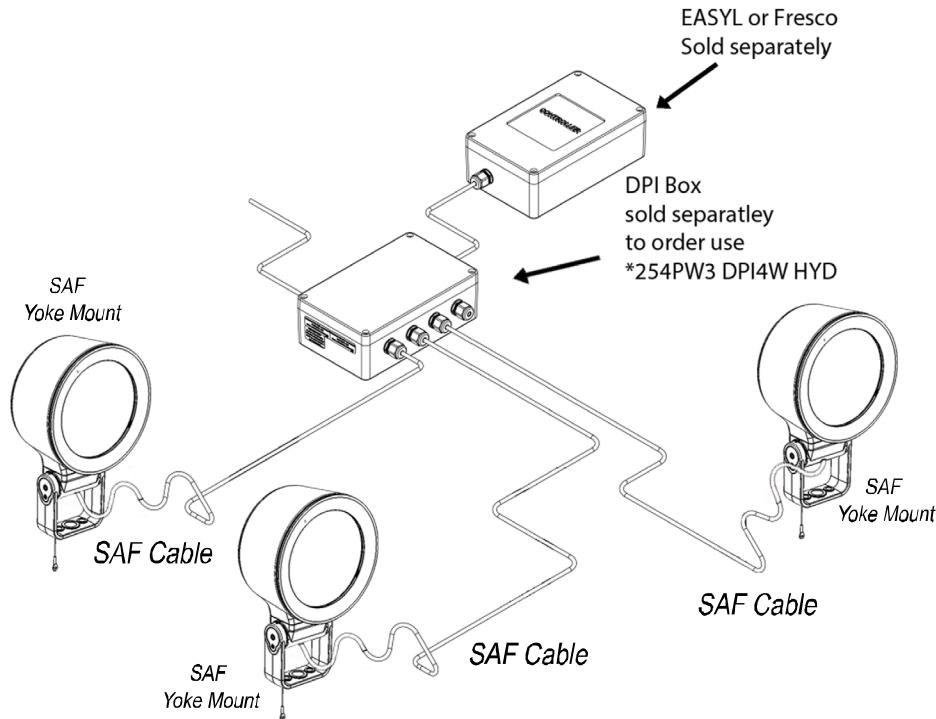
DMX / POWER INTEGRATOR

Model
DPI4WHYD DPI4WHYD - DMX/Power Integrator Box

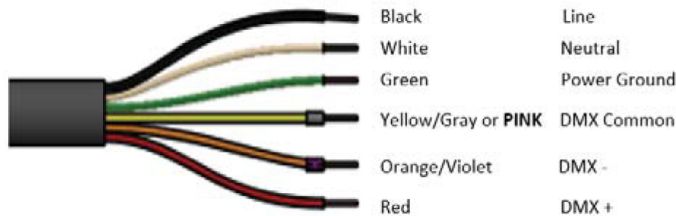
Refer to [DPI4WHYD](#) spec sheet for additional details.



WIRING AND LAYOUT DESIGN



Wiring Detail - DMX RGBW Fixture



FEATURES & SPECIFICATIONS

MATERIAL: Die cast copper-free aluminum (A360) housing & doors with separate optical and driver compartments to ensure thermal isolation of the electronic drivers and LED's.

VOLTAGE: MVOLT 120V-277V, 50/60Hz.

DISTRIBUTION: Available in 10DEG, 15DEG, 20DEG, 30DEG, 40DEG, 50DEG, 70DEG, 15Vx60H, 30Vx60H, 60Vx15H and 60Vx30H.

LENS: Molded from heat strengthened borosilicate glass for superior clarity and strength.

MOUNTING: Adjustable knuckle is 1/2" NPT. Yoke mount is a 7/8" thru hole center and (2) 7/16" thru holes 2.2" on center. Aluminum knuckle, yoke, & stainless steel locking hardware with infinite aiming adjustment capabilities and a wide array of mounting accessories. The SAF series can withstand up to a 3G vibration load rating per ANSI/IEEE C136.31. Yoke mount luminaires are provided with 10'-50' at 5ft increments of 18 gauge/6 conductor ST cord for power supply and control. Knuckle mount luminaires are provided with 18" leads (18 gauge for power supply and 22 gauge for control).

GLARE CONTROL: External glare control options include full glare shields and half glare shields.

FINISH: Exterior parts are protected by a zinc-infused durable TGIC thermoset powder coat finish that provides superior resistance to corrosion and weathering. A tightly controlled multi-stage process ensures a minimum 3 mils thickness for a finish that can withstand extreme climates without cracking or peeling.

ELECTRICAL: MVOLT (120-277) LED class 2 power supply. 45 watts max, L83 lifetime \geq 100,000 hours at 25°C. Power factor > 90%, THD < 20%. 6KV surge protection meets a minimum Category C low operation per ANSI/IEEE C62.41.2.

FEATURES: Taper lock knuckle and yoke for infinite aiming and an unparalleled locking ability.

EXTERNAL ACCESSORY: Impact resistant rock guard.

BUY AMERICAN ACT: This product is assembled in the USA and meets the Buy America(n) government procurement requirements under FAR, DFARS and DOT regulations. Please refer to www.acuitybrands.com/buy-american for additional information.

LISTING: cCSAus, suitable for outdoor & wet location, IP68 rated.

WARRANTY: 5-year limited warranty. This is the only warranty provided and no other statements in this specification sheet create any warranty of any kind. All other express and implied warranties are disclaimed. Complete warranty terms located at: www.acuitybrands.com/support/warranty/terms-and-conditions

Consult factory for details

NOTE: Actual performance may differ as a result of end-user environment and application. All values are design or typical values, measured under laboratory conditions at 25 °C. Specifications subject to change without notice.

Juno®

JFX Series

Project:
Fixture Type:
Location:
Contact/Phone:

JFX LED Tapelight



Product Features

JFX Tapelight is a versatile system capable of being used in task or accent lighting in commercial, retail, residential and outdoor settings. This system is ideal for linear run lengths up to 40ft of continuous illumination. The wet location option offers IP65 rating with fully encapsulated tapelight providing a robust and durable solution for outdoor applications. When used with an extrusion to create an enclosure, the overall height of the enclosure is less than 0.5" thick, which makes this tapelight ideal for being hidden underneath cabinets or in tight wall features. A LED population of up to 36 LEDs per foot means uniform illumination even without the use of a diffuser. JFX Tapelight keeps the installation easy with NEC rated junction boxes included with all drivers.

Applications

- Ideal for long, linear run lengths
- Flexible PCBA allows mounting to curved surfaces which are 4" radius or greater
- Minimized overall profile for hidden installation
- Linkable end to end
- Wet location rated for outdoor usage
- 3M adhesive rated for multiple working surfaces such as: metals, woods, plastics.



Juno® JFX Series



Looking for Contractor Select readily available configurations? Click here to visit Contractor Select™ spec sheet or go to www.contractorselect.com

ORDERING INFORMATION

Juno JFX

Example: JFX 24V 200LM 16FT 27K 90CRI DL

Series	Voltage	Lumen	Reel Length	CCT	CRI	IP Rating
JFX ¹ Juno Flex Tapelight	24V 24 VOLT	100LM ² 100 LUMENS PER FOOT	16FT 16.4FT REEL	27K 2700K CCT	90CRI ³ 90 CRI	DL DAMP LOCATION WL WET LOCATION
		200LM 200 LUMENS PER FOOT	100FT 100FT REEL	30K 3000K CCT		
		300LM 300 LUMENS PER FOOT		40K 4000K CCT		
				RGBW ^{2,9} RED GREEN BLUE WHITE		

JFX CUSTOM ORDERING TREE

Example: JFX 24V 200LM 1FT4IN 30K 90CRI DL SLCH

Series	Voltage	Lumen	Custom Length ⁴	CCT	CRI	IP Rating	Channels	Lead Length	
JFX Juno Flex Tapelight	24V 24 VOLT	100LM ² 100 LUMENS PER FOOT	1FT 1 FOOT	27K 2700K CCT	90CRI ³ 90 CRI	DL DAMP LOCATION WL WET LOCATION	NSLCH NO SLIM CHANNEL SLCH SLIM CHANNEL	24IN 24IN LEAD	
			2FT 2 FOOT						30K 3000K CCT
			3FT 3 FOOT						
		4FT ⁵ 4 FOOT	RGBW ^{7,9,12} RED GREEN BLUE WHITE						
		2IN 2 INCHES							
		4IN ⁴ 4 INCHES							
		6IN 6 INCHES							
		8IN ⁴ 8 INCHES							
		10IN 10 INCHES							

Driver Ordering Table Ordering Example: JFXDRV 120VAC MLV 20W

Series	Voltage	Type	Wattage
JFXDRV JFX Driver	120VAC	MLV Line Voltage Dimmable Driver	20W 20 Watts
JFXDRV JFX Driver	120VAC	MLV Line Voltage Dimmable Driver	40W 40 Watts
JFXDRV JFX Driver	120VAC	MLV Line Voltage Dimmable Driver	60W 60 Watts
JFXDRV JFX Driver	120VAC	MLV Line Voltage Dimmable Driver	96W 96 Watts
JFXDRV JFX Driver	MVOLT 120-277VAC	CLV Constant Low Voltage Non-Dimmable Driver	60W 60 Watts
JFXDRV JFX Driver	MVOLT 120-277VAC	CLV Constant Low Voltage Non-Dimmable Driver	100W 100 Watts

Notes:

1. Must order driver from Driver Ordering Table.
2. Only available on RGBW tapelight.
3. 90CRI for RGBW only applies to White LED modes.
4. 200LM tapelight is only available in 4 inch increments.
5. 4FT considered maximum shipping length.
6. Considered as Custom-Kitting. Requires additional leadtime for assembly and shipping (## day).
7. Constant Voltage driver required for RGBW tapelight.
8. Refer to Min/Max run table below.
9. Must choose one of the RGBW accessory control options for On/Off and color control. Also choose RGBW connector options for easy installation.
10. Requires a DMX controller (not included).
11. Contains (1) tapelight to tapelight connector, (3) tapelight to wire connectors.
12. Only available with 100LM option.
13. JFX CNT Connectors not compatible with WL tape. See installation instructions for detail on WL leads/connection.

Accessories: Order as separate catalog number.	
JFX IRM ⁹	RGBW IR Remote and Receiver
JFX RGBW DMX ^{9,10}	RGBW DMX Decoder
JFX SLCH	Slim Channel, 48"
JFX CNT ^{11,13}	Pack of 4 Connectors (for use with static CCT tape only)
JFX RGBW CNT TTEE ¹³	RGBW Connector Tape-To-Tape & End-To-End
JFX RGBW CNT TTEX ¹³	RGBW Connector Tape-To-Tape, 6IN Jumper Cable
JFX RGBW CNT TWEX ¹³	RGBW Connector Tape-To-Wire, 6IN Leader Cable

End Caps and Hardware	
RK4JFX SLCH HRDWKIT M200	Extrusion hardware kit with clips (2), screws (2), and end caps (1 each)
RK4JFX WL HRDWKIT M200	Wet location hardware kit with end caps (2 each) and clips (10)

Specifications

Construction

Flexible JFX tapelight is manufactured with the highest quality PCB materials, components, and binning processes to ensure color and lumen consistency for a high-end professional installation. With up to 36 LEDs per inch, JFX ensures illumination uniformity for tight space and hidden light source applications. For Wet Location Options, a complete silicone encapsulation is included for an IP65-rated tapelight. Can be field cut at marked locations using standard steel office scissors for desired linear length.

LED Light Engine

Long-life LEDs mounted to a flexible PCBA with a minimum bend radius of 4" (Front to Back), coupled with quality drivers to provide extended service life. JFX is rated to deliver L70 @ 50,000 hours. The product can be dimmed to 10% or less depending on driver and/or control option utilized.

Electrical Connections

JFX utilizes a 120VAC or MVOLT (120-277) drivers at 50/60Hz (see driver specification tables below). All drivers provide a constant voltage output of 24VDC with output ratings from 20 to 100 watts. Capable of operating from -22°C to +70°C ambient.

Junction Box Mounting

Testing

All test reports are based on published industry procedures; field performance may differ from actual performance.

Warranty

5-year limited warranty. This is the only warranty provided and no other statements in this specification sheet create any warranty of any kind. All other express and implied warranties are disclaimed. Complete warranty terms located at: www.acuitybrands.com/support/warranty/terms-and-conditions

Note: Actual performance may differ as a result of end-user environment and application.

All values are design or typical values, measured under laboratory conditions at 25 °C.

Specifications subject to change without notice.

Tapelight Specifications

Tapelight	Watts/Ft	Dimmable	Max Run (Ft)	Lumens/Ft			
				27K	30K	40K	RGBW
JFX Static 200 DL	2.3	Y	40	185	191	200	n/a
JFX Static 200 WL	2.3	Y	40	172	178	186	n/a
JFX Static 300 DL	3.4	Y	25	275	285	298	n/a
JFX Static 300 WL	3.4	Y	25	256	265	277	n/a
JFX RGBW 100 DL	2.2	Y	25	n/a	n/a	n/a	86
JFX RGBW 100 WL	2.2	Y	25	n/a	n/a	n/a	81

Minimum Allowable Run Length (Total Ft)

Driver	MLV				CLV	
	20W	40W	60W	96W	60W	100W
200 DL/WL	1.7	3.5	5.2	8.3	n/a	n/a
300 DL/WL	1.2	2.4	3.5	5.6	n/a	n/a
100 RGBW	n/a	n/a	n/a	n/a	1.1	1.8

Maximum Allowable Run Length (Ft)

Driver	MLV				CLV	
	20W	40W	60W	96W	60W	100W
200 DL/WL	7.0	13.9	20.9	33.4	26.1	40.0
300 DL/WL	4.7	9.4	14.1	22.6	17.6	27.3
100 RGBW	n/a	n/a	n/a	n/a	27.3	45.5

JFX Drivers Specifications

Product Features

Power JFX tapelight with multiple driver options to best meet project requirements. MLV drivers in 20, 40, 60, and 96 watts are ideal for static tapelight applications with On/Off and/or line voltage dimming. The CLV drivers in 60 and 100 watts providing constant, non dimming output which provides a perfect solution when combined with the RGBW RF or DMX control solutions for RGBW applications. See driver specifications and recommended min/max tapelight run length tables below.

Mechanical Construction

All junction boxes included with JFX DRV are designed to be NEC compliant. Each are constructed using 18GA cold-rolled steel and powder coated. The black finish helps to easily conceal the unit and provides additional protection against atmospheric conditions. All junction boxes come with conveniently located input and output power knockouts from 1" to 1.25" sizes to be highly adaptable for various wiring layouts. Ventilation holes and mounting orientation is provided to ensure proper thermal management and air handling capabilities. Each box comes with a 1" romex-style connector clamp.

Electrical Specification

JFXDRV drivers operate at 120VAC or MVOLT (120-277VAC) @ 50/60Hz depending on the driver option selected. All drivers provide a constant output of 24VDC, up to 100W of total system power. Ambient operating temperatures vary based on driver selected. Drivers should be loaded to 80% maximum (i.e. 32W for 40W model). Drivers should be loaded to minimum 20% (i.e. 8W for 40W model). Refer to driver specification table below for details.

Installation

JFX DRV junction boxes are designed for multiple installation settings. Typical installation locations include, but are not limited to, behind wall, electrical rooms, over cabinet, and more. It is recommended the junction boxes are not installed in an insulation-contact setting or installed within 2 inches of a cabinet wall. Do not install in a compartment smaller than 15.25" X 7.75" X 3.75". All boxes come with mounting hole provisions to be installed on a flat surface such as drywall, studs, or other structural members.

Certifications

UL recognized component for U.S. and Canada. Listed for damp locations.

Testing

All test reports are based on published industry procedures; field performance may differ from actual performance.

Warranty

5-year limited warranty. This is the only warranty provided and no other statements in this specification sheet create any warranty of any kind. All other express and implied warranties are disclaimed. Complete warranty terms located at: www.acuitybrands.com/support/warranty/terms-and-conditions

Note: Actual performance may differ as a result of end-user environment and application.

All values are design or typical values, measured under laboratory conditions at 25 °C.

Specifications subject to change without notice.

MLV Dimmer Compatibility

Lutron	Maestro	MAELV-600
		MAEL-153M
	Diva	DVLEV-300P
		DVCL-153P
	Homeworks	HQRD-6ND
Caseta	PD-5NE	
Leviton	RadioR2	RRD-PRO
	Sureslide	6674-P
	Decora	DSE06-10Z

Driver Specifications

Driver	Wattage	Input (VAC)	Output (VDC)	Min Load (W)	Max Load (W)	Dimming	Ambient Temp (°C)	Class 2 Compliance	Listing	Protection	Applications
JFXDRV 120VAC MLV 20W	20	120	24	4	16	10%	-20° / +50°	Yes	Wet / NEMA 3R	Overload/Short Circuit	Static/Standard Dim
JFXDRV 120VAC MLV 40W	40	120	24	8	32	10%	-20° / +50°	Yes	Wet / NEMA 3R	Overload/Short Circuit	Static/Standard Dim
JFXDRV 120VAC MLV 60W	60	120	24	12	48	10%	-20° / +50°	Yes	Wet / NEMA 3R	Overload/Short Circuit	Static/Standard Dim
JFXDRV 120VAC MLV 96W	96	120	24	19.2	76.8	10%	-20° / +50°	Yes	Wet / NEMA 3R	Overload/Short Circuit	Static/Standard Dim
JFXDRV MVOLT CLV 60W	60	120-277	24	2.5	60	None	-30° / +70°	Yes	Damp	Overload/Short Circuit	RGBW/No Dim/Title 24
JFXDRV MVOLT CLV 100W	100	120-277	24	4	100	None	-30° / +70°	Yes	Damp	Overload/Short Circuit	RGBW/No Dim/Title 24

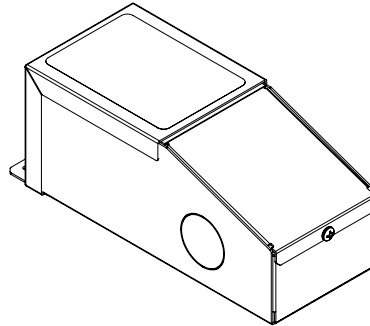
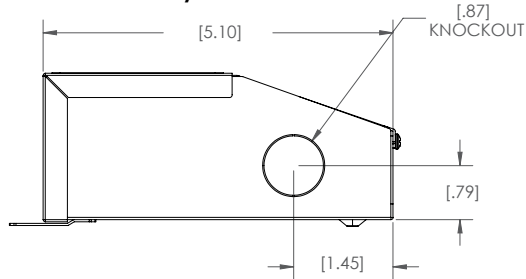
24V Voltage Drop & Wire Length Distance Chart (3% Drop or 23.28V)*

Wire Gauge	10 W .42 A	20 W .83 A	30 W 1.3 A	40 W 1.7 A	50 W 2.1 A	60 W 2.5 A	70 W 2.9 A	80 W 3.3 A	90 W 3.75 A	100 W 4.2 A
20 AWG	85 FT	43 FT	27 FT	21 FT	17 FT	14 FT	12 FT	11 FT	9 FT	8 FT
18 AWG	134 FT	68 FT	45 FT	33 FT	27 FT	22 FT	19 FT	17 FT	15 FT	14 FT
16 AWG	215 FT	109 FT	72 FT	54 FT	43 FT	36 FT	31 FT	27 FT	24 FT	22 FT
14 AWG	345 FT	174 FT	115 FT	86 FT	69 FT	57 FT	49 FT	43 FT	39 FT	36 FT
12 AWG	539 FT	272 FT	181 FT	135 FT	108 FT	90 FT	77 FT	68 FT	61 FT	56 FT
10 AWG	784 FT	397 FT	263 FT	197 FT	158 FT	131 FT	112 FT	98 FT	97 FT	82 FT

*These tables provide general guidelines for determining Wire Gauge based on total load and distance From LED driver to beginning of luminaire.

Juno® JFX Series

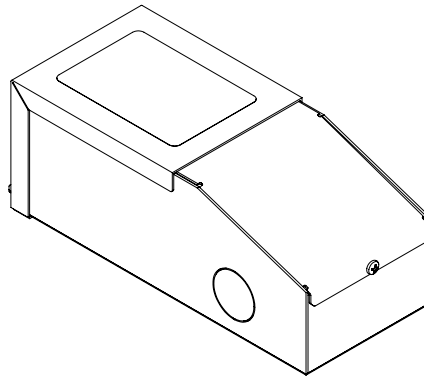
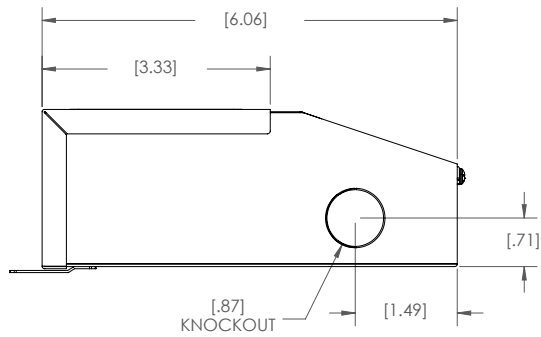
JFXDRV MLV 20W/40W



Enclosure Box

Length	5.10 IN
Width	2.24 IN
Height	2.23 IN

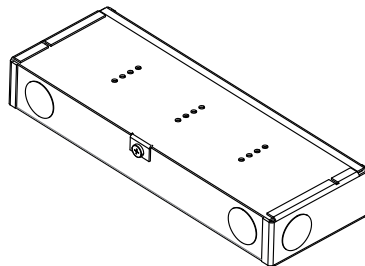
JFXDRV MLV 60W/96W



Enclosure Box

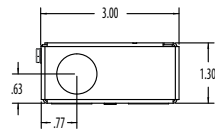
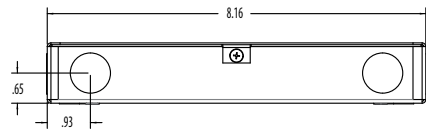
Length	6.06 IN
Width	2.68 IN
Height	2.37 IN

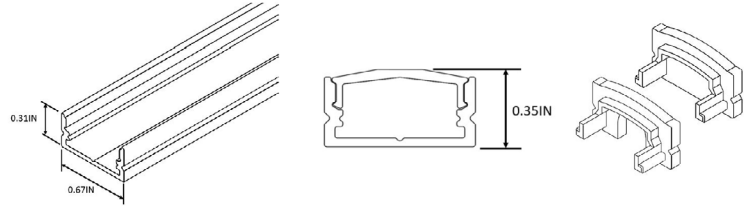
JFXDRV CLV 60W / 100W



Enclosure Box

Length	8.16 IN
Width	3 IN
Height	1.30 IN





JFX Channel Specifications

Construction

Improve JFX tapelight performance with the the JFX SLCH, slim channel. The channel is constructed of 6063-T5 aluminum. Performance maintenance by reducing dust and bug contamination using the SLCH. Increase LED life by extracting more heat from the light source using the SLCH. Create a smoother illumination by putting the tapelight behind a lens and improving distribution.

Lens

The SLCH lens is a durable, flexible polycarbonate material. The lens fits to the channel via interference fit and requires no tools for installation or removal. Use of the lens creates a smoother illumination of the tapelight and reduces overall glare.

Cutting

The cutting of the aluminum extrusion and lens can be performed using common rotating blades or shears when cutting the lens. It is common practice to remove all burrs or rough edges following any cutting work using an abrasive materials such as sandpaper. Be sure to allow an extra 0.5" of airgap to each end of the tapelight when measuring the cut length of the channel and lens.

Installation

JFX SLCH installs using provided mounting clips and screw hardware. Mounting clips are constructed of stainless steel. The mounting screw size is #3. It is recommended to install the mounting clips 6 inches from the end of the channel.

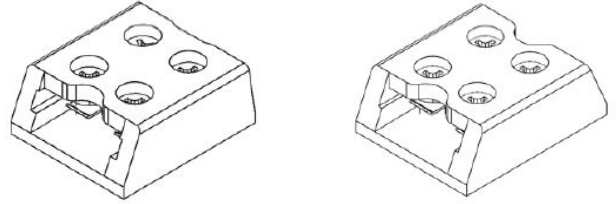
Warranty

5-year limited warranty. This is the only warranty provided and no other statements in this specification sheet create any warranty of any kind. All other express and implied warranties are disclaimed. Complete warranty terms located at: www.acuitybrands.com/support/warranty/terms-and-conditions

Note: Actual performance may differ as a result of end-user environment and application.

All values are design or typical values, measured under laboratory conditions at 25 °C.

Specifications subject to change without notice.



JFX Connectors Specifications

Construction

Link multiple lengths of tapelight together using the the tape-to-tape or tape-to-wire terminal blocks. Constructed of a polycarbonate for durability. Transparent in color to minimize shadowing. Connections made using a screw actuated clamp for robust connections between tape and wire.

Installation

The connectors are sized to fit within the JFX SLCH channel. All JFX tapelight, excluding RGBW and WL tapelight are compatible with the connectors. When using tape-to-wire connectors, be sure to note polarity of wire when mating to the tapelight. Only wire gauge 16-20 are accepted (solid wire from 18-20 gauge is recommended). Drive screws using philips screwdriver to make secure connections to tapelight or wire. See installation instructions for more information.

Warranty

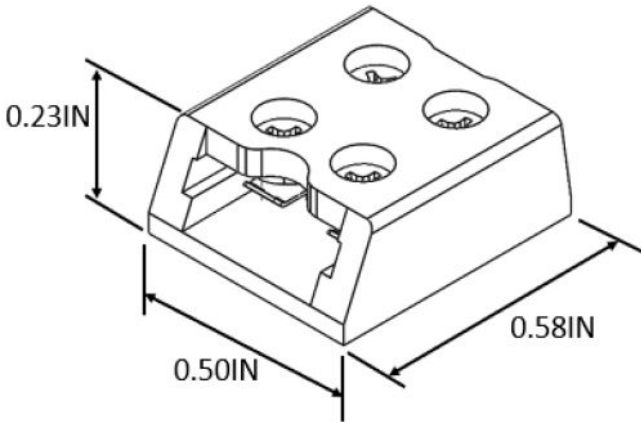
5-year limited warranty. This is the only warranty provided and no other statements in this specification sheet create any warranty of any kind. All other express and implied warranties are disclaimed. Complete warranty terms located at: www.acuitybrands.com/support/warranty/terms-and-conditions

Note: Actual performance may differ as a result of end-user environment and application.

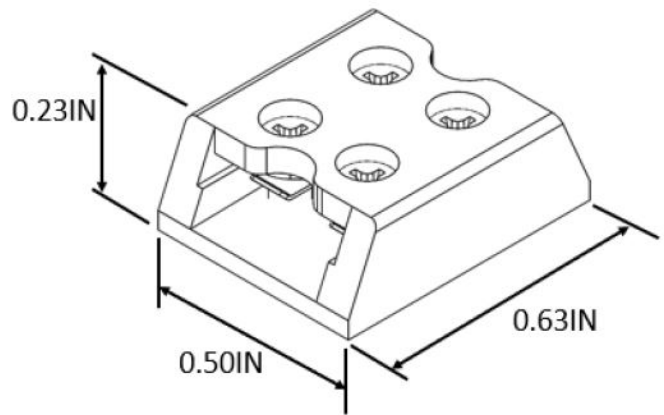
All values are design or typical values, measured under laboratory conditions at 25 °C.

Specifications subject to change without notice.

JFX CNT: Static Tapelight to Wire Connector



JFX CNT: Static Tapelight to Tapelight Connector



RGBW Connector Chart

JFX RGBW CNT TTEE	RGBW Connector Tape-To-Tape and End-To-End
JFX RGBW CNT TTEX	RGBW Connector Tape-To-Tape, 6IN Jumper Cable
JFX RGBW CNT TWEX	RGBW Connector Tape-To-Wire, 6IN Leader Cable

JFX RGBW CNT TTEX



JFX RGBW CNT TWEX



JFX RGBW CNT TTEE

